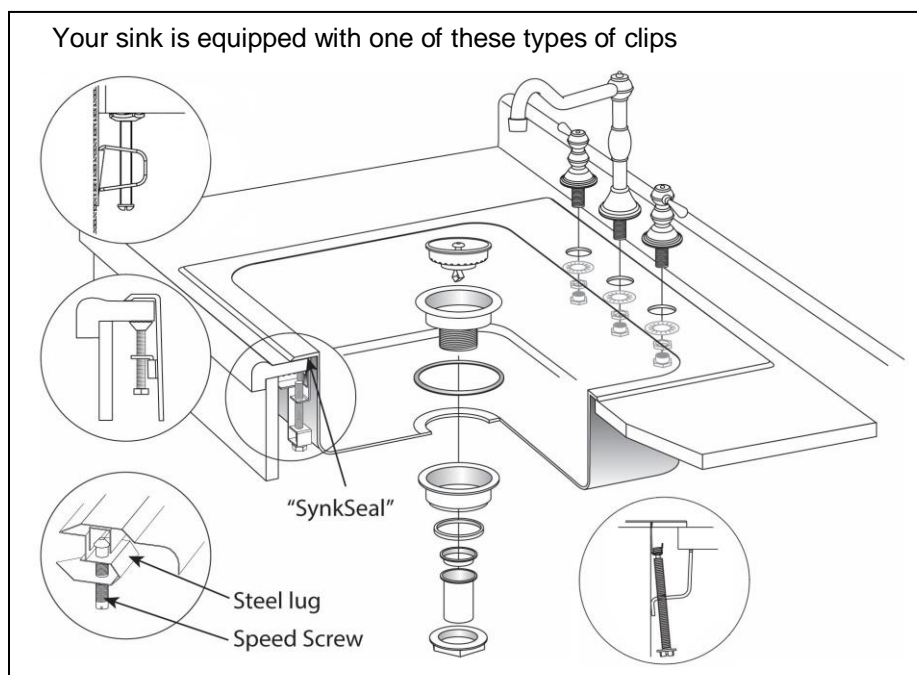


## INSTALLATION AND CARE GUIDE FOR STAINLESS STEEL SINKS



Thank you for your purchase of a Wessan sink. We are confident that with the proper installation of this sink you will get many years of enjoyment and use. Please take a moment to review the installation and care instructions, before installing.

- **ATTENTION – SHARP EDGES. USE CAUTION WHEN HANDLING SINK. WE RECOMMEND WEARING WORK GLOVES TO PREVENT INJURY.**
- **ATTENTION INSTALLER, PLEASE LEAVE THIS LEAFLET WITH THE HOMEOWNER**

### CARE AND MAINTENANCE

Stainless steel is easy to keep clean. Simple everyday maintenance, as outlined below, will ensure its long-lasting beauty.

#### WHAT TO DO

*For regular routine cleaning, use a non-abrasive cleaner.* This will keep the sink free from residue and grease. Since the detergent used for washing dishes may not be thoroughly effective in removing grease from the sink, the best results can be obtained by *direct application* of a non-abrasive household cleaner. Cleaning products containing a *mild abrasive* and recommended by their manufacturer for use on stainless steel sinks are generally satisfactory if the product-use directions on the package are followed.

*After heavy usage and whenever a thorough disinfecting cleaning is required, use an abrasive disinfecting cleansing powder.* Please note, however, that an abrasive cleaner should only be used on the bowl area of the sink . . . never on the 'mirror finish' countertop area of the sink.

#### WHAT NOT TO DO

*Do not use common steel wool scouring pads or metal implements such as scrapers and wire brushes.* These items can cause rust spots to appear on the sink. The rust is not from the stainless steel but from contamination by particles of carbon steel which have rubbed off the scouring pad or metal implement and have adhered to the surface of the sink.

*For surface rust, we recommend Flitz®.* Apply with a cloth or sponge and rub in the direction of the grain. Rinse with water.

*Do not leave rubber or plastic protective mats in the sink.* The contact points where the mat rests on the sink tend to collect residue which may leave marks on the sink and can result in unsanitary areas.

Residential stainless steel sinks should NEVER be exposed to the following agents. If contact should occur, rinse immediately with clean water and clean the sink thoroughly.

- Photographic chemicals, particularly those containing ferric chloride.
- Iodine
- Chlorine bleach. Chlorides will attack the protective layer of the sink. Always dilute if used for disinfection.
- Acids, such as sulphuric and hydrochloric in high concentrations.

The concentration of acids contained in drain cleaning products is low; however, thoroughly rinse the sink bowl if those products are used. The best method of 'preventive maintenance' is to ensure that the sink is dry and clean when not in use.

### WARRANTY

Novanni offers a limited 10 year warranty to the original purchaser of a Wessan stainless steel sink. Novanni will, at its option, replace, without charge, such product if it fails due to a manufacturing defect that arises during normal residential use. Product replacement does not include transportation cost or labour installation cost. This warranty only applies to the replacement of the defective sink. Novanni reserves the right to examine the product in question and its installation prior to replacement.

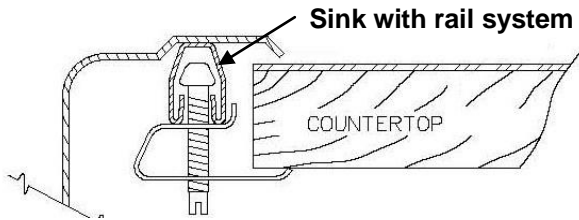
Novanni shall not be liable under this warranty where the sink has been used for abnormal purposes, improperly installed, or has damage resulting from abuse such as heavy impact, dropped objects or otherwise. Novanni shall not be liable for any inconvenience or expense for material or labour related to removal of the defective sink, or for any loss or damage to any person or property whatsoever resulting from the defective sink. Scratches are not covered under warranty. All cost of such replacement shall be born by the purchaser.

**PROOF OF PURCHASE WILL BE REQUIRED FROM HOMEOWNER FOR WARRANTY PURPOSES.**

**INSTALLATION INSTRUCTIONS – SINKS WITHOUT TEMPLATES**

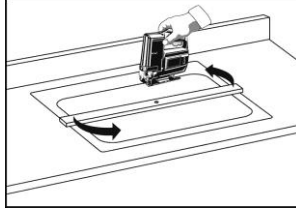
**SINKS WITH RAIL MOUNTING SYSTEM**

For sinks supplied without a template, follow the installation instructions below.

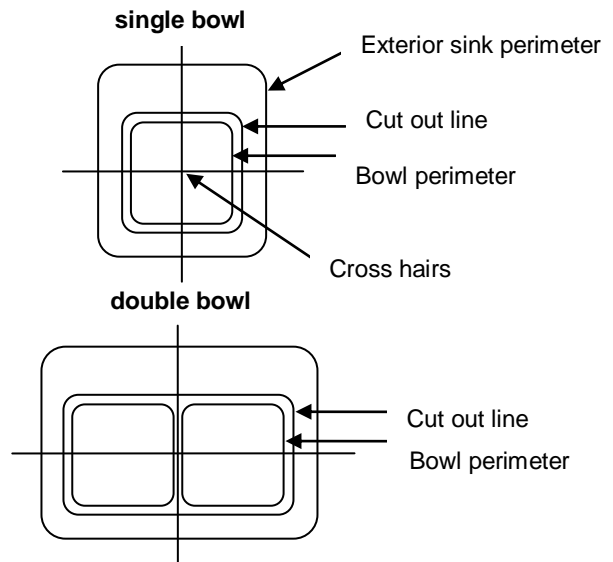
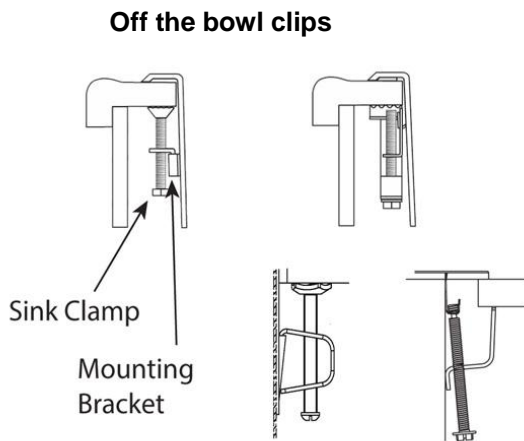


1. Place the sink upside down on the countertop in the desired location.
2. From left to right, centre the sink above the sink cabinet. Ensure there are no obstructions that will interfere with the sink installation.
3. For sinks without a faucet ledge, leave enough space on the countertop to install the faucet.
4. Place masking tape around the perimeter of the sink. This will prevent the countertop from scratching and chipping when it is cut.
5. Trace a pencil line around the perimeter of the sink. Remove the sink.
6. Draw a second line 1/4" inside the first line. This will be the cut-out line.
7. Drill a pilot hole inside the cut-out line. Using a jig saw, cut along the cut-out line.
8. Proceed to step 5 on page 3.

**Hint:** Screw a strip of wood (approx. 1" x 2" x the length of the sink) to the centre of the cut-out piece. Rotate the strip as you make your cut. This will prevent the cut-out piece from falling through as you make your cut-out.



**SINKS WITH OFF THE BOWL CLIP MOUNTING SYSTEM**



**Note:** It is highly recommended to contact Novanni to receive a template for installing any "off the bowl clip" mounted sink (see contact information below).

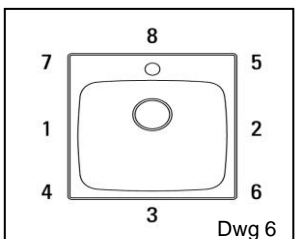
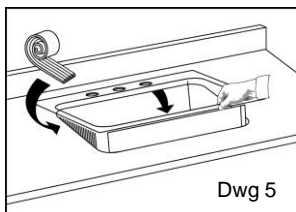
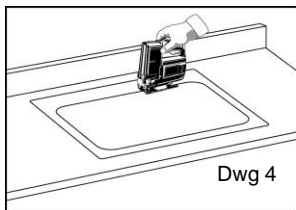
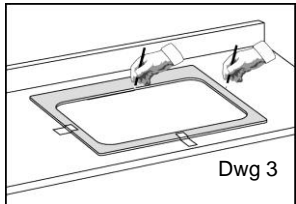
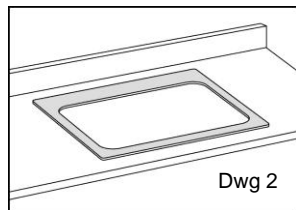
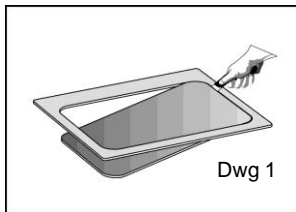
1. Place the sink upside down on the countertop in the desired location.
2. From left to right, centre the sink above the sink cabinet. Ensure there are no obstructions that will interfere with the sink installation.
3. For sinks without a faucet ledge, leave enough space on the countertop to install the faucet.
4. Place masking tape around the perimeter of the sink. This will prevent the countertop from scratching and chipping when it is cut.
5. Using a pencil trace the exterior perimeter of the sink.
6. Set the sink aside. Using a carpenter's square, mark cross hairs through the centre of the exterior sink perimeter. **Note:** If the sink has a faucet deck, it is necessary to compensate for the difference between the center of the bowls and the center of the exterior sink perimeter.
7. Measure the total length and width of the bowl(s). Using the carpenter's square and the cross hairs as the centre point, draw the perimeter of the bowl(s). For the corner radii, duplicate the sink corner radii as close as possible.
8. Mark the cut-out line 1/2" outside of the bowl perimeter. This cut-out will allow the bowls to pass through the countertop comfortably. Drill a pilot hole inside the cut-out line. Using a jig saw, carefully cut the countertop along the cut-out line.
9. Proceed to step 5 on page 3.

## INSTALLATION INSTRUCTIONS – SINKS WITH TEMPLATES

- For the purpose of clarity, only a single bowl is shown below to illustrate typical installation details which are common to both single and double bowl sinks.

**NOTE:** The template for making the sink-opening in the countertop is provided in the box

- Templates come as an outer or inner cut line. Read instructions on template carefully to determine which style of template you have.
- The inner or outer edge of the template will indicate the actual area of the countertop which must be cut out to accommodate the sink.
- **Depending on your sink model, your template may look slightly different than the template in the illustration.**
- **Ensure your template is correctly orientated on the countertop.**



1. Follow the instructions on your template specific to your sink model. Please note that templates come as an outer or inner cut line. Illustrations on the left may not depict your template.
2. Place the template on the countertop in the exact location where the sink is to be installed. Take into account placement of the faucet and room for front deck. (see Dwg. 2)
  - Be sure that the location chosen on the countertop is perfectly flat.
  - Ensure that the front of the template is parallel with the front of the countertop edge.
  - Check the underside of the countertop to be sure that the location chosen for the installation is free from obstructions such as drawers, shelves, partitions, or other structural members. Also ensure that sufficient space for the mounting clamps is provided. Remove or re-locate any obstructions.
3. Tape the template to the countertop in the final location chosen. Then trace on your countertop the indicated "Cut along this line" to achieve the proper hole pattern required for your sink. Remove the template. (see Dwg. 3)
4. Drill a pilot hole inside the cut-out line. Using a jig saw, cut along the cut-out line. (see Dwg. 4)
5. Install the sink strainer(s) in the sink, referring to the illustration printed on page 1. Tighten the sink strainer(s) to make a water-tight seal. **Do not install the faucet assembly at this time. Your strainer and faucet may not be as illustrated on page 1.**
6. Place the sink into the sink-opening. Check for proper clearance.
  - If necessary, remove the sink and slightly enlarge the sink-opening where required. Replace the sink and check again for a proper fit.
7. Remove the sink from the sink-opening and carefully set it aside.
8. Depending on your cut-out specific to your sink, you may be able to use the sink if it has pre-punched faucet holes to mark the faucet holes on the countertop. Alternatively, drill faucet mounting-hole openings, as required, in the countertop using a 1½" (38 mm) diameter drill bit.
9. If your sink was not furnished with factory installed "SynkSeal", place a bead of sealing compound along the inside of the sink perimeter line. (see Dwg. 5)
10. Replace the sink into the sink-opening and position squarely.
11. Your sink may have mounting brackets or a rail system. From the underside of the countertop, place the sink clamps (packed in the box) in the mounting brackets around the sink or slide them into the rail channel. (see the illustrations on pages 1 and 2)
  - Do not fully tighten sink clamps at this point.
  - Additional mounting brackets may be installed on your sink for alternate clamp placement; clamps beyond the quantity supplied by the factory with your sink are not required.
12. Using a screwdriver, or 3/8" hexagonal socket wrench, progressively tighten the sink clamps following the method suggested in Dwg. 6.
  - Ensure that the front of the sink remains parallel with the front of the countertop edge while tightening the sink clamps.
  - It may be necessary to change the original location of some sink clamps to compensate for minor irregularities in the countertop.
  - Do not over-tighten clamps, spot weld dimpling on the inside finish of the bowl could occur or a clamp could be broken off.
13. Install the faucet assembly, following the faucet manufacturer's instructions.